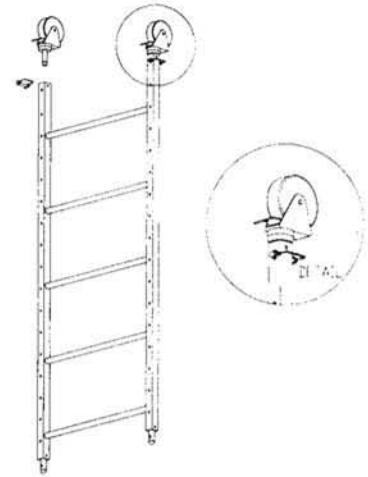
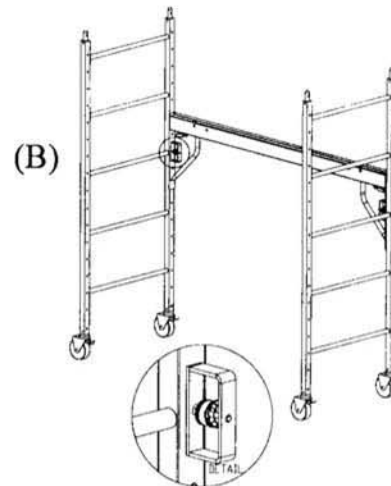
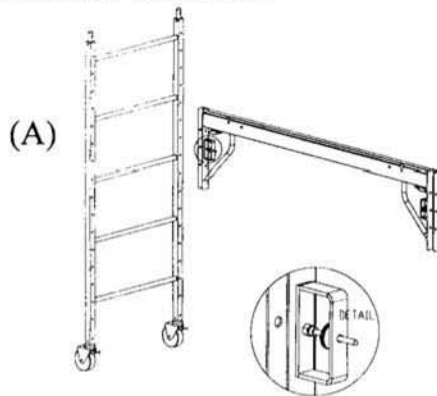


Assembly Instructions

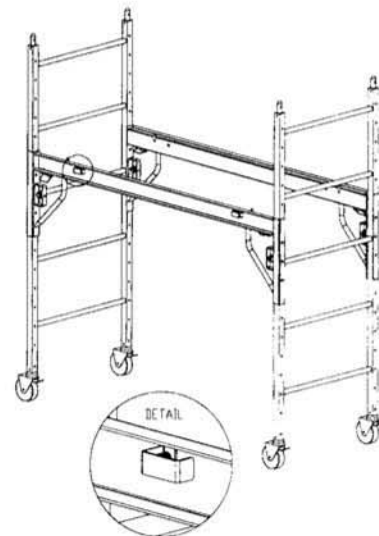
- 1) Turn the end frames upside down and insert the casters into the frame legs. Then insert the snap pins to secure the casters.



- 2) (A) Turn the frames right side up and engage the lock on the casters. While holding one end frame with one hand use your other hand to pull back the lock pin on the arm brace and engage the "U" channel over the frame leg. (B) Then release the lock pin and slide the arm brace up or down on the frame leg until the pin snaps into a hole. Repeat for the opposite end of the brace and second end frame.



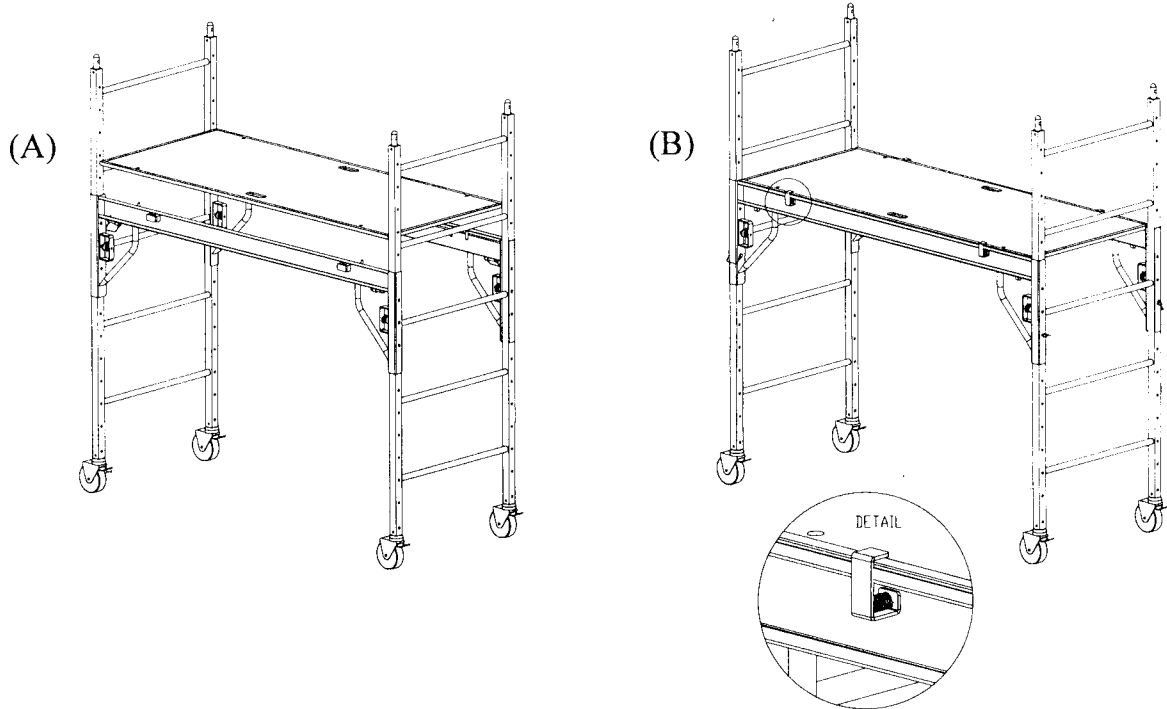
- 3) Attach the second arm brace as described in step 2. Make sure both arm braces are positioned at the same level. Be sure the platform hold down devices are turned out of the way.



For more information call 1-800-477-8876

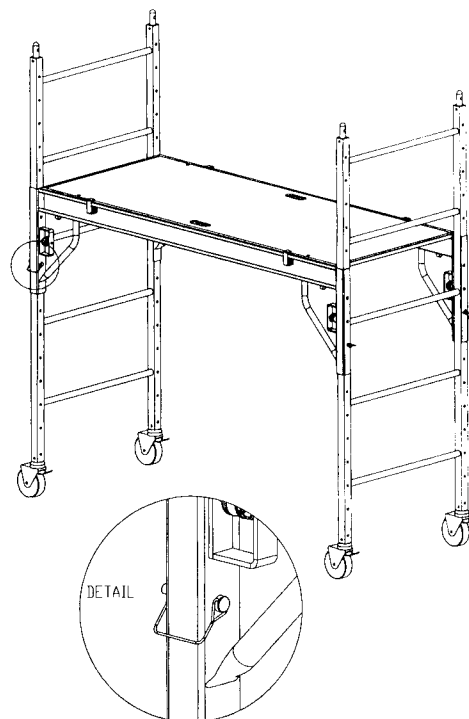
Grabber Construction Products, Inc. is a 100% employee owned company

- 4) (A) Then lay a plywood platform on the braces. Line up the 4 holes in the plywood with the pins on the arm braces. (B) Turn the platform hold down devices so that they “trap” the platform onto the braces.

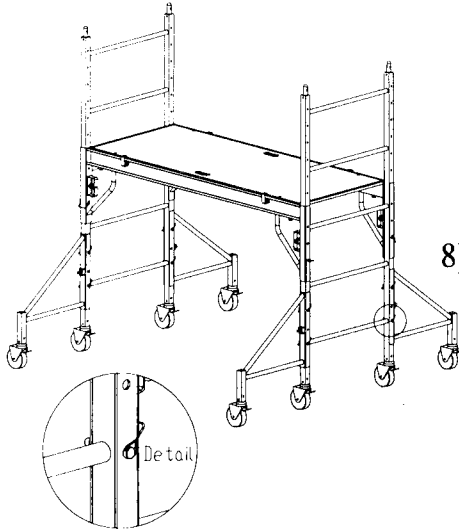
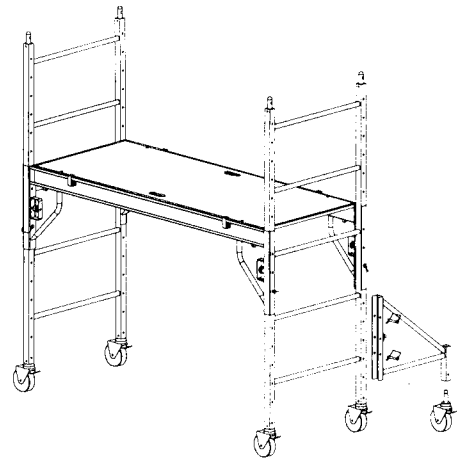


- 5) The platform height can now be easily adjusted. By standing at the end of the unit, disengage a lock pin with each hand. The arm braces and platform can now be moved up or down on the frame. When at the preferred height, release the lock pins and move the platform up or down until the lock pins snap into the nearest hole. Adjust the opposite end in the same way.

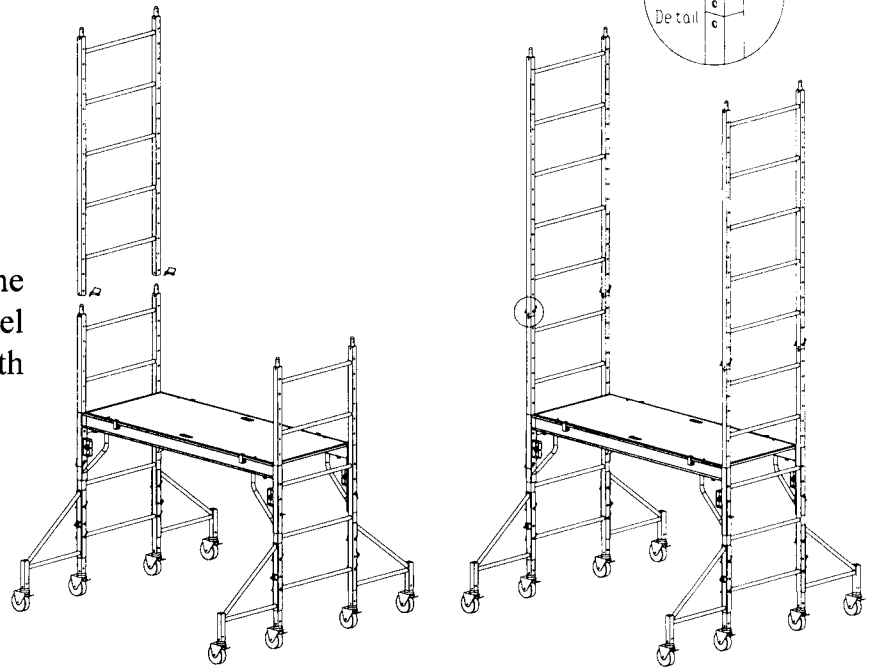
- 6) For additional security insert 2” snap pins (located on the arm braces) through the “U” channel and frames after the platform height has been properly set.



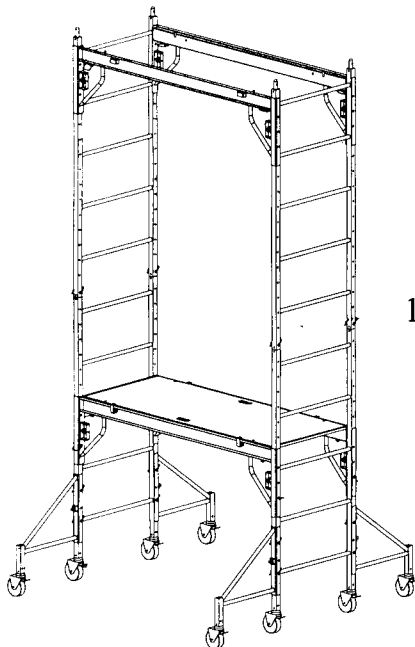
- 7) Insert the caster into the outrigger and attach the outrigger to the frame leg using two 2" snap pins. The caster on the outrigger should be level with the casters on the ladder frame.



- 8) Attach the remaining three outriggers as described in step 7. Make sure that the casters on the outriggers are level with the casters on the ladder frames.

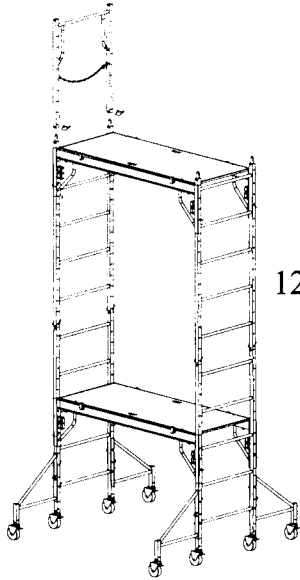
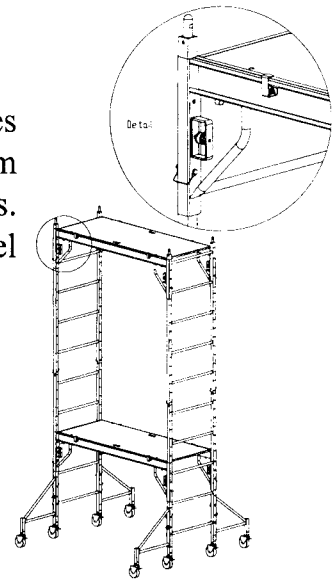


- 9) Set the ladder frames for the second level on the first level ladder frames and secure with 2" snap pins.

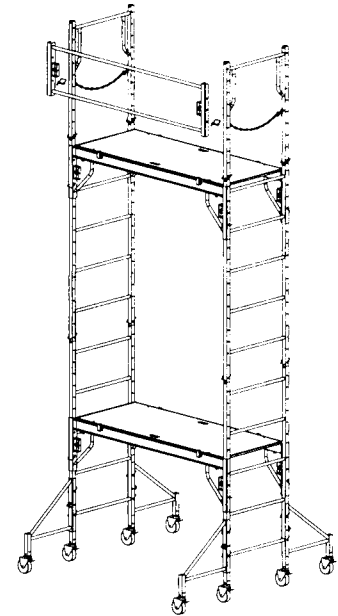


- 10) Attach the second level arm braces one at a time as described in step 2 and position them to the top of the second level ladder frames.

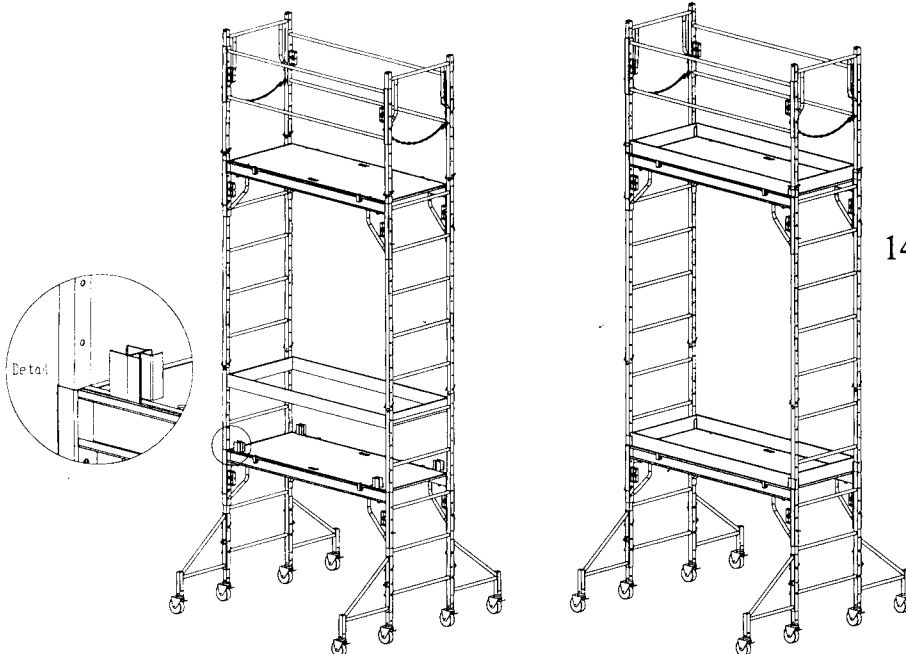
11) Lay a plywood platform on the braces. Then line up the four holes in the plywood with the pins on the arm braces. Turn the platform hold down devices so they “trap” the platform onto the braces. Then secure the braces using 2” snap pins through the “U” channel and the frames.



12) Set the guard rail end panel on the second level ladder frame and secure with 2” snap pins. Repeat for the opposite end of the scaffold unit.



13) Attach the guard rail side panels using the same procedure (step 2) used to attach the arm braces. After their height has been set, secure them with 2” snap pins.



14) Install the four toe board clips onto the ladder frames and then place the toe board into the clips. Repeat step for the second platform.