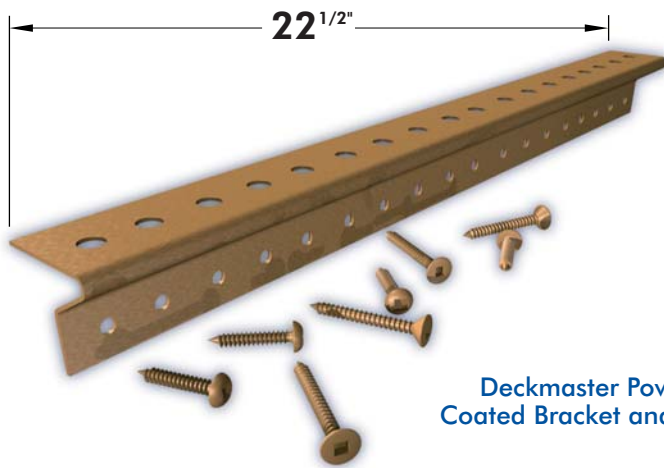


# GRABBER®



**DECKMASTER®**  
HIDDEN DECK FASTENING SYSTEM

## Deckmaster Specifications



Deckmaster Powder Coated Bracket and Screws

POWDER COATED  
**50**  
YEAR GUARANTEE  
DECKMASTER



Also available in Stainless Steel with a Lifetime Warranty

### BRACKETS

22.5" LONG, 24 GAUGE with pre drilled holes 1 1/8" spacing.  
HOT DIPPED ZINC COATED GALVANIZED STEEL SHEET (G-90)  
ASTM A448 GRADE D CLASS 1 G90, with bronze epoxy coating.  
Tested to 1000 hour salt spray per ASTM B117.

REGULAR SPANGLE

STAINLESS STEEL (304)

Brackets and screws weigh approximately 58 pounds per 250 square feet on 16" centers.

### SCREWS

Grabbergard Screws are ACQ Compliant

Board Screws, #2 Square Recess with Type 17 point, 8 TPI

10x 1" Grabbergard® (1000 Hour Salt Spray), Stainless Steel (302)

10x 1-1/4" Grabbergard® (1000 Hour Salt Spray), Stainless Steel (302)

10x 1-5/8" Grabbergard® (1000 Hour Salt Spray), Stainless Steel (302)

10x 1-3/4" Grabbergard® (1000 Hour Salt Spray), Stainless Steel (302)

Bracket to Joist Screws, #2 Square Recess, Type S point, 14 TPI 8x1"

Grabbergard® (1000 Hour Salt Spray), Stainless Steel (302)

Lifetime Beauty Above  
Hidden Strength Below

"If it's worth building, it's worth GRABBER.®"